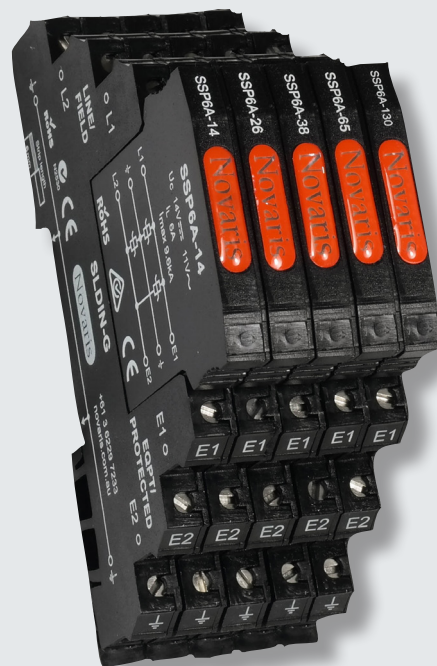


NSSP Slimline Surge Protectors

Power supplies protection



NSSP Slimline Surge Protectors

Power supplies protection



NSS6A-26-G

High Current slimline surge protection devices (SPDs) provide surge protection for most twisted pair signaling schemes.

Load current up to 6 A

The NSSP6A series surge protectors complement the SL range for applications of load currents up to 6A. Typical applications may include power supplies, digital outputs and other low voltage requirements up to 6A.

Two different earthing options

With two different base options the NSSP6A protectors offer either direct earthing via DIN rail, for the most effective, low impedance earth connection (-G base) or a connection via GDT to the DIN rail, offering isolation under normal conditions and equipotential bonding during a surge (-EC90 base).

Slimline pluggable modules

The plug-in design provides simple and rapid replacement and testing - no rewiring needed. This also provides a convenient method of field equipment isolation if required.

Standards

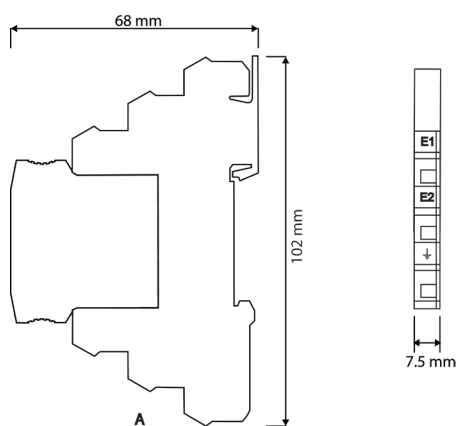
- ITU-T K.44: 2012
- AS / NZS 1768: 2007
- IEC61643-21: 2012
- AS/CA S008: 2010
- AS/NZS 4117: 1999
- UL 1449 3rd edition & UL 497B



NSSP 6A - 14 - [*]

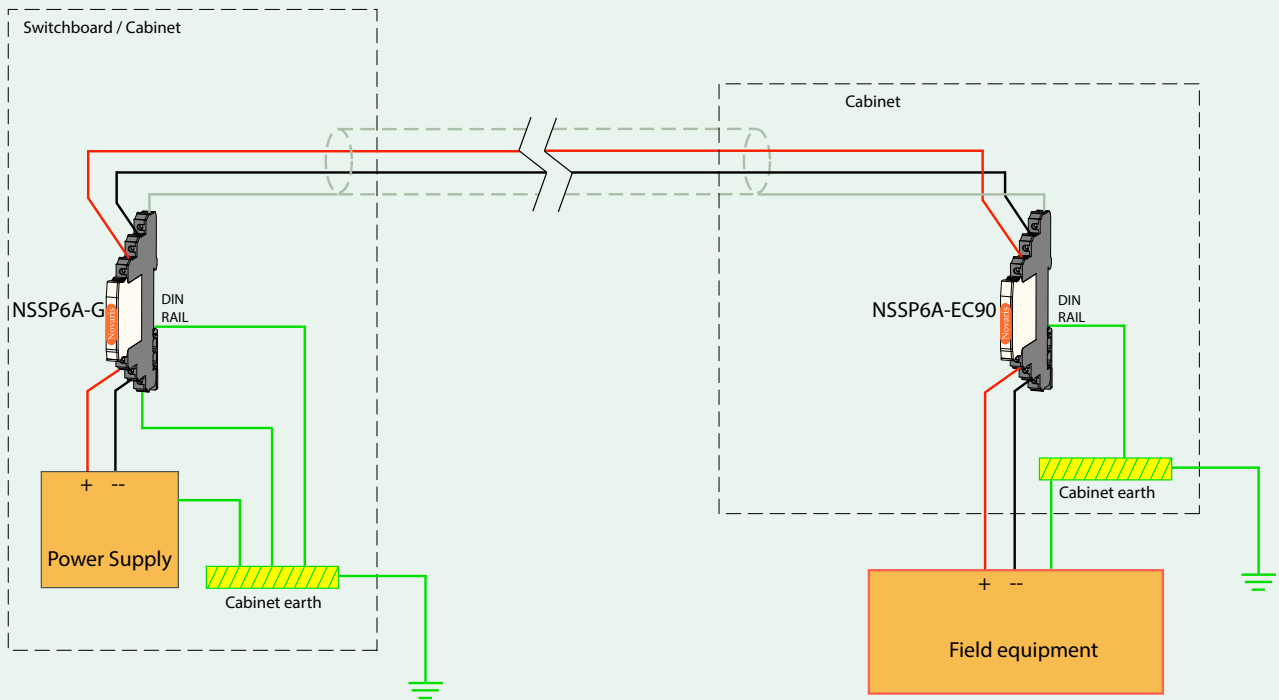


Dimensions



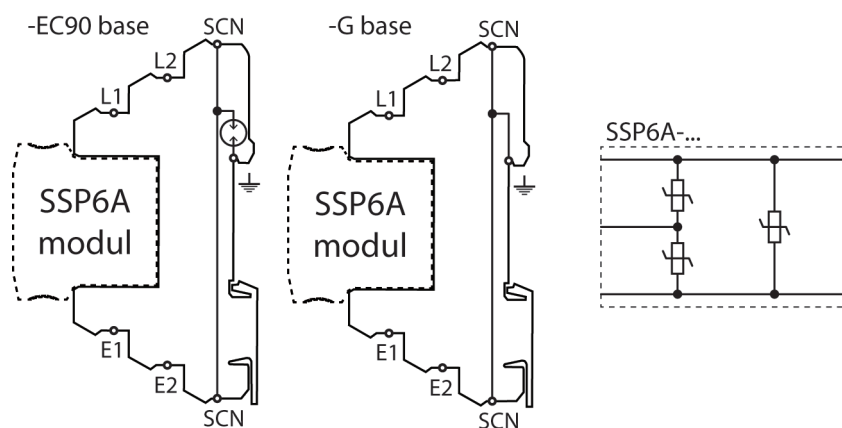
Type		NSSP6A-14	NSSP6A-26	NSSP6A-38	NSSP6A-65	NSSP6A-130
Electrical Specifications						
Connection type		Series				
Number of lines		1 pair				
Modes of protection		Transverse and common mode				
Maximum continuous voltage (DC)	U_c	14V	26V	38V	65V	170V
Maximum continuous voltage (AC)	U_c	11V	20V	30V	50V	130V
Maximum discharge current (8/20 μ s)	I_{max}	4.8 kA per line (9.6 kA common mode)				
Maximum discharge current (10/350 μ s)	I_{imp}	-				
impulse durability		C2: 10 x 2.5 kA 8/20 μ s				C2: 10 x 1 kA 8/20 μ s
Maximum load current	I_L	6 A				
L-L Voltage protection level @ 1 kV / μ s	U_P	35V	55V	75V	130V	450V
L-L Voltage protection level @ 3 kA 8/20 μ s	U_P	70V	95V	105V	210V	-
L-L Voltage protection level @ 100 V / s		20V	35V	55V	90V	220V
L-PE Voltage protection level @ 1 kV / μ s	U_P	35V	55V	75V	130V	450V
L-PE Voltage protection level @ 3 kA 8/20 μ s	U_P	70V	70V	105V	210V	-
L-PE Voltage protection level @ 100 V / s		20V	20V	55V	90V	220V
AC durability		5 x 1 sec, 1 Arms				
Overstressed fault mode		Mode 3 (open circuit)				
Response time	t_A	< 5ns				
Line resistance		0.02 Ω				
Line inductance		-				
L-L capacitance	U_T	48 nF	28 nF	16 nF	4 nF	16 nF
L-PE Capacitance	U_c	48 nF	28 nF	16 nF	4 nF	20 nF
Insertion loss @ 150 Ω		< 0.5 dB (< 20 kHz)				
3 dB Frequency @ 150 Ω	f_c	80 kHz				
Mechanical Specifications						
Operating temperature / humidity		-40 to +70°C / 5 to 95 % non-condensing				
Connection type / capacity		0.25 - 2.5 mm ² cage clamp				
Terminal screw torque		0.5 Nm				
Environmental		IP 20 / Indoor				
Dimensional drawing		A				
Mounting		TS35 DIN-rail				
Earthing via G-base		Direct earth connection via DIN-rail and screw terminals				
Earthing via EC90-base		90 V isolation between DIN-rail earth and shield				
Enclosure/colour		Polycarbonate UL94 V-0 / black				
Weight		35 g				

SSP6A xx protection supply voltage of field instruments



How to use the NSSP6A-XX example

Diagram / installation

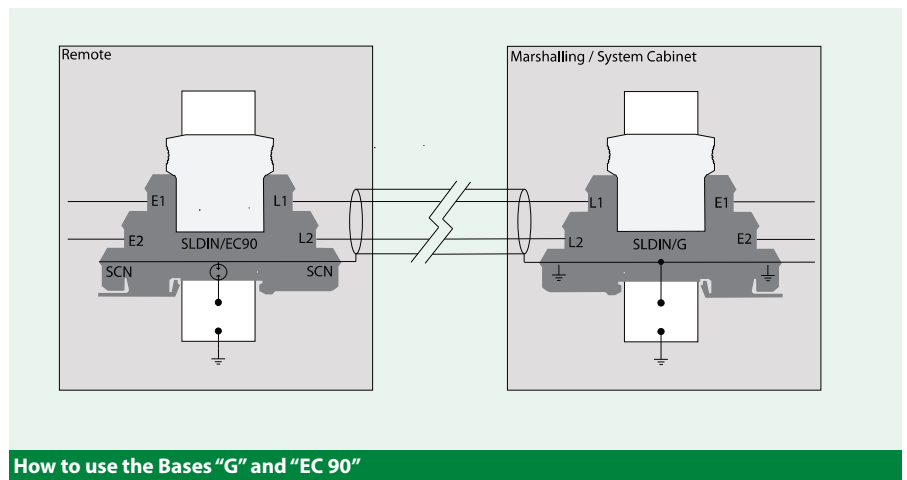


Ordering information

Type	Signal Type		* Base Option		Art. No.
			direct earthing	indirect earthing	
NSSP6A-14	12 VDC	-	-G	-EC90	B-SSP6A-14 - *
NSSP6A-26	24 VDC	12 VAC	-G	-EC90	B-SSP6A-26 - *
NSSP6A-38	36 VDC	24 VAC	-G	-EC90	B-SSP6A-38 - *
NSSP6A-65	48 VDC	48 VAC	-G	-EC90	B-SSP6A-65 - *
NSSP6A-130	110 VDC	110 VAC	-G	-EC90	B-SSP6A-130 - *

If you need hazardous area products, please contact us.

* Base options





Bender Benelux B.V.

Takkebijsters 54 • NL-4817 BL Breda • Nederland
Tel.: +31 (0)76 5878713 • Fax: +31 (0)76 5878927
E-Mail: benderbenelux@benderbenelux.com
www.benderbenelux.com



BENDER Group